



FLAT SPRAY NOZZLE FE

The flat spray nozzle FE is characterized by uniform liquid distribution, which is achieved with the linear, narrow rectangular spray pattern. With jet angle of 60°, balanced, high-energy stream is generated. In comparison to the F mode, the spray axis cannot be re-adjusted after installation.

STANDARD – SPRAY ANGLE

60°, 90°, 120°

other angles on request.



POSSIBLE APPLICATIONS

spraying and cleaning of moving parts
dust control
cleaning systems
washing systems

FIELD OF APPLICATION

steel production
food industry
chemistry
pharma
energy technology

AVAILABLE IN THE FOLLOWING MATERIALS

Stainless Steel

1.4435 (X2 CrNiMo 18-14-3)

Plastics

PVC
PTFE with glass fibers
POM
PP

Non-ferrous material

brass

(polyvinyl chloride)
(polytetrafluorethylene)
(polyoxymethylene)
(polypropylene)

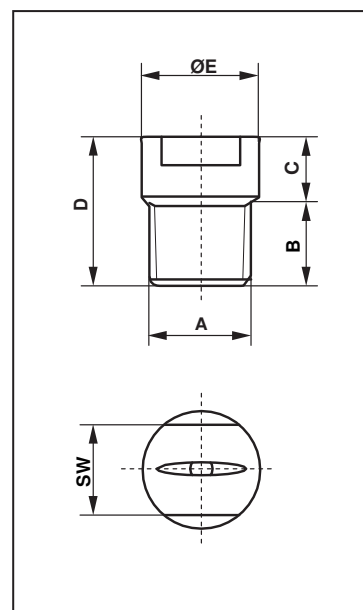
other material on request.

DIMENSION TAPERED THREAD

Type	A mm	B mm	C mm	D mm	ØE mm	SW mm
FE 01	Rc1/8"	8	11	19	13	8
FE 02	Rc1/4"	11	8	19	15	12
FE 03	Rc3/8"	11	9	20	18	15
FE 04	Rc1/2"	14	11	25	22	19
FE 05	Rc3/4"	15	15	30	28	24
FE 06	Rc 1"	17	20	37	35	30

DIMENSION STRAIGHT THREAD

Type	A mm	B mm	C mm	D mm	ØE mm	SW mm
FE 01	R 1/8"	8	11	19	13	8
FE 02	R 1/4"	9	8	17	17/18	13
FE 03	R 3/8"	10	9	19	20	17
FE 04	R 1/2"	11	11	22	25	22
FE 05	R 3/4"	15	20	35	32	27
FE 06	R 1"	17	20	37	40	36



Jato-Düsenbau AG

Täschmattstrasse 23, CH-6015 Luzern, Switzerland, Tel: +41 41 269 88 30 Fax: +41 41 269 88 31 www.jato.ch info@jato.ch

VER.03/16



FLAT SPRAY NOZZLE FE

CAPACITY CHART OF FLAT SPRAY NOZZLE TYPE FE

capacities in l/min of water by following pressures

type	thread	1 bar	2 bar	3 bar	4 bar (Test pressure)	6 bar	8 bar	10 bar
FE 02	R1/4"			0.20	0.23	0.28	0.33	0.36
		0.27	0.38	0.47	0.54	0.66	0.76	0.85
		0.40	0.57	0.69	0.80	0.98	1.13	1.26
		0.60	0.85	1.04	1.20	1.47	1.70	1.90
		0.85	1.20	1.47	1.70	2.10	2.40	2.70
		1.20	1.70	2.10	2.40	2.95	3.40	3.80
		1.50	2.10	2.60	3.00	3.70	4.20	4.70
		1.80	2.55	3.20	3.60	4.40	5.10	5.70
		2.50	3.50	4.30	5.00	6.10	7.10	7.90
		4.00	5.70	6.90	8.00	9.80	11.30	12.60
		5.20	7.30	9.00	10.40	12.70	14.70	16.50
6.30	8.80	10.80	12.50	15.30	17.70	19.80		
FE 03	R3/8"			0.20	0.23	0.28	0.33	0.36
		0.27	0.38	0.47	0.54	0.66	0.76	0.85
		0.40	0.57	0.69	0.80	0.98	1.13	1.26
		0.60	0.85	1.04	1.20	1.47	1.70	1.90
		0.85	1.20	1.47	1.70	2.10	2.40	2.70
		1.20	1.70	2.10	2.40	2.95	3.40	3.80
		1.50	2.10	2.60	3.00	3.70	4.20	4.70
		1.80	2.55	3.20	3.60	4.40	5.10	5.70
		2.50	3.50	4.30	5.00	6.10	7.10	7.90
		4.00	5.70	6.90	8.00	9.80	11.30	12.60
		5.20	7.30	9.00	10.40	12.70	14.70	16.50
		6.30	8.80	10.80	12.50	15.30	17.70	19.80
		7.00	9.90	12.10	14.00	17.20	19.80	22.00
		8.80	12.40	15.20	17.50	21.50	24.80	27.70
		10.00	14.10	17.30	20.00	24.50	28.30	31.60
11.50	16.30	19.90	23.00	28.20	32.50	36.40		

other capacities on request.

FOR ORDERING WE NEED FOLLOWING INFORMATIONS

Field of application

medium to spray (viscosity)
fitting position / spray distance nozzle – spray area
temperature range
frequency range

Nozzle specification

type of material
desired spray angle
nozzle type
connection thread
desired capacity (l/min, l/h)
operating pressure (bar)

Jato-Düsenbau AG

Täschmattstrasse 23, CH-6015 Luzern, Switzerland, Tel: +41 41 269 88 30 Fax: +41 41 269 88 31 www.jato.ch info@jato.ch

VER.03/16



FLAT SPRAY NOZZLE FE

CAPACITY CHART OF FLAT SPRAY NOZZLE TYPE FE

capacities in l/min of water by following pressures

type	thread	1bar	2bar	3bar	4 bar (Test pressure)	6bar	8bar	10 bar
FE 04	R1/2"	7.00	9.90	12.10	14.00	17.20	19.80	22.00
		8.80	12.40	15.20	17.50	21.50	24.80	27.70
		10.00	14.10	17.30	20.00	24.50	28.30	31.60
		11.50	16.30	19.90	23.00	28.20	32.50	36.40
		14.50	20.50	25.00	29.00	35.50	41.00	46.00
		18.50	26.20	32.00	37.00	45.30	52.50	58.50
FE 05	R3/4"	23.50	33.30	41.00	47.00	58.00	66.50	74.00
		11.50	16.30	19.90	23.00	28.20	32.50	36.40
		14.50	20.50	25.00	29.00	35.50	41.00	46.00
		18.50	26.20	32.00	37.00	45.30	52.50	58.50
		23.50	33.30	41.00	47.00	58.00	66.50	74.00
		30.00	42.50	52.00	60.00	73.50	85.00	95.00
FE 06	R1"	35.00	49.50	60.50	70.00	85.50	99.00	111.00
		40.00	56.50	69.50	80.00	98.00	113.00	127.00
		11.50	16.30	19.90	23.00	28.20	32.50	36.40
		14.50	20.50	25.00	29.00	35.50	41.00	46.00
		18.50	26.20	32.00	37.00	45.30	52.50	58.50
		23.50	33.30	41.00	47.00	58.00	66.50	74.00
		30.00	42.50	52.00	60.00	73.50	85.00	95.00
		35.00	49.50	60.50	70.00	85.50	99.00	111.00
		40.00	56.50	69.50	80.00	98.00	113.00	127.00
		58.00	82.00	101.00	116.00	142.00	164.00	183.00
		75.00	106.00	130.00	150.00	184.00	212.00	237.00

other capacities on request.

FOR ORDERING WE NEED FOLLOWING INFORMATIONS

Field of application

medium to spray (viscosity)
 fitting position / spray distance nozzle – spray area
 temperature range
 frequency range

Nozzle specification

type of material
 desired spray angle
 nozzle type
 connection thread
 desired capacity (l/min, l/h)
 operating pressure (bar)