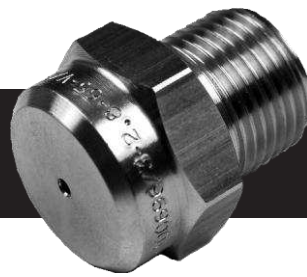




# FULL CONE NOZZLE LM

FOR CONTINUOUS CASTING SYSTEMS



## STANDARD – SPRAY ANGLE



## AVAILABLE IN THE FOLLOWING MATERIALS

### Stainless Steel

1.4305 (X8 CrNiS 18-9)

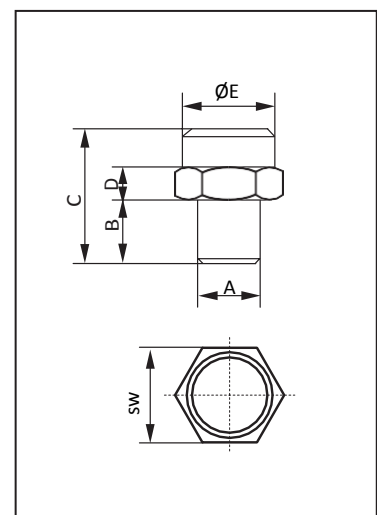
### Non-ferrous metal

brass

other materials on request.

## DIMENSIONS

type	A	B mm	C mm	D mm	ØE mm
LM 02	R 1/4"	13	28	7	19
LM 03	R 3/8"	13	26.65	7	21
LM 04	R 1/2"	24	38	7	26
LM 02	1/4"-18 NPT	13	28	7	19
LM 03	3/8"-18 NPT	13	26.65	7	21



FULL CONE NOZZLE LM



# FULL CONE NOZZLE LM

FOR CONTINUOUS CASTING SYSTEMS

## CAPACITY CHART OF FULL CONE NOZZLE TYPE LM

male thread		capacity l/min of water, by following pressure						
type		size	angle	2.8 bar (test pressure)	4 bar	6 bar	8 bar	10 bar
LM 02	R 1/4"	6050 LM	50°	6.00	7.20	8.80	10.15	11.35
		2065 LM	65°	2.00	2.40	2.90	3.40	3.75
	1/4"-18 NPT	3065 LM	65°	3.00	3.60	4.40	5.10	5.65
		4065 LM	65°	4.00	4.80	5.85	6.75	7.55
		6065 LM	65°	6.00	7.20	8.80	10.15	11.35
		3580 LM	80°	3.50	4.20	5.10	5.90	6.60
		5080 LM	80°	5.00	6.00	7.30	8.45	9.45
LM 03	R 3/8"	7045 LM	45°	7.00	8.35	10.25	11.85	13.20
		10045 LM	45°	10.00	11.95	14.60	16.90	18.90
	3/8"-18 NPT	6050 LM	50°	6.00	7.20	8.80	10.15	11.35
		6055 LM	55°	6.00	7.20	8.80	10.15	11.35
		2560 LM	60°	2.50	3.00	3.65	4.20	4.70
		2760 LM	60°	2.70	3.20	3.95	4.55	5.10
		3060 LM	60°	3.00	3.60	4.40	5.10	5.65
		3560 LM	60°	3.50	4.20	5.10	5.90	6.60
		16560 LM	60°	16.50	19.70	24.15	27.90	31.20
		1565 LM	65°	1.50	1.80	2.20	2.55	2.85
		2065 LM	65°	2.00	2.40	2.90	3.40	3.75
		2565 LM	65°	2.50	3.00	3.65	4.20	4.70
		3065 LM	65°	3.00	3.60	4.40	5.10	5.65
		3565 LM	65°	3.50	4.20	5.10	5.90	6.60
		3865 LM	65°	3.80	4.50	5.60	6.40	7.20
		4065 LM	65°	4.00	4.80	5.85	6.75	7.55
		4565 LM	65°	4.50	5.40	6.60	7.60	8.50
		4765 LM	65°	4.70	5.60	6.90	7.95	8.90
		5065 LM	65°	5.00	6.00	7.30	8.45	9.45
		5565 LM	65°	5.50	6.60	8.05	9.30	10.40
6065 LM	65°	6.00	7.20	8.80	10.15	11.35		
6565 LM	65°	6.50	7.80	9.50	11.00	12.30		
6665 LM	65°	6.60	7.90	9.70	11.15	12.45		
7065 LM	65°	7.00	8.35	10.25	11.85	13.20		

other capacities on request.

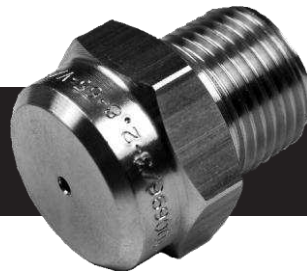
### FOR ORDERING WE NEED FOLLOWING INFORMATION

#### Field of application

medium to spray (viscosity)  
fitting position / spray distance nozzle – spray area  
temperature range  
frequency range

#### Nozzle specification

type of material  
desired spray angle  
nozzle type  
connection thread  
desired capacity (l/min, l/h)  
operating pressure (bar)



# FULL CONE NOZZLE LM

FOR CONTINUOUS CASTING SYSTEMS

**CAPACITY CHART OF FULL CONE NOZZLE TYPE LM**

male thread		capacity l/min of water, by following pressure						
type		size	angle	2.8 bar (test pressure)	4 bar	6 bar	8 bar	10 bar
LM 03	R 3/8"	7265 LM	65°	7.20	8.60	10.50	12.20	13.60
	3/8"-18 NPT	7365 LM	65°	7.30	8.70	10.70	12.35	13.80
		7565 LM	65°	7.50	8.95	10.95	12.65	14.15
		8065 LM	65°	8.00	9.60	11.70	13.50	15.10
		8565 LM	65°	8.50	10.15	12.40	14.35	16.05
		9565 LM	65°	9.50	11.35	13.90	16.05	17.95
		10065 LM	65°	10.00	11.95	14.60	16.90	18.90
		12065 LM	65°	12.00	14.30	17.60	20.30	22.65
		14665 LM	65°	14.60	17.45	21.35	24.65	27.60
		17065 LM	65°	17.00	20.30	24.90	28.75	32.10
		2080 LM	80°	2.00	2.40	2.90	3.40	3.75
		3080 LM	80°	3.00	3.60	4.40	5.10	5.65
		3580 LM	80°	3.50	4.20	5.10	5.90	6.60
		4080 LM	80°	4.00	4.80	5.85	6.75	7.55
		4580 LM	80°	4.50	5.40	6.60	7.60	8.50
		5080 LM	80°	5.00	6.00	7.30	8.45	9.45
		6080 LM	80°	6.00	7.20	8.80	10.15	11.35
		8080 LM	80°	8.00	9.60	11.70	13.50	15.10
		8580 LM	80°	8.50	10.15	12.40	14.35	16.05
		9880 LM	80°	9.80	11.70	14.30	16.55	18.50
		10280 LM	80°	10.20	12.20	14.90	17.25	19.25
		10680 LM	80°	10.60	12.70	15.50	17.90	20.05
		11080 LM	80°	11.00	13.15	16.10	18.60	20.80
		11880 LM	80°	11.80	14.10	17.30	19.95	22.30
		12980 LM	80°	12.90	15.40	18.90	21.80	24.40
		15080 LM	80°	15.00	17.90	21.95	25.35	28.35
		16080 LM	80°	16.00	19.10	23.40	27.05	30.25
		2590 LM	90°	2.50	3.00	3.65	4.20	4.70
		3090 LM	90°	3.00	3.60	4.40	5.10	5.65
		3890 LM	90°	3.80	4.50	5.60	6.40	7.20
		4090 LM	90°	4.00	4.80	5.85	6.75	7.55

other capacities on request.

## FOR ORDERING WE NEED FOLLOWING INFORMATION

### Field of application

medium to spray (viscosity)  
fitting position / spray distance nozzle – spray area  
temperature range  
frequency range

### Nozzle specification

type of material  
desired spray angle  
nozzle type  
connection thread  
desired capacity (l/min, l/h)  
operating pressure (bar)



# FULL CONE NOZZLE LM

FOR CONTINUOUS CASTING SYSTEMS

## CAPACITY CHART OF FULL CONE NOZZLE TYPE LM

male thread		capacity l/min of water, by following pressure						
type		size	angle	2.8 bar (test pressure)	4 bar	6 bar	8 bar	10 bar
LM 03	R 3/8"	4690 LM	90°	4.60	5.50	6.75	7.75	8.70
	3/8"-18 NPT	5090 LM	90°	5.00	6.00	7.30	8.45	9.45
		5590 LM	90°	5.50	6.60	8.05	9.30	10.40
		6090 LM	90°	6.00	7.20	8.80	10.15	11.35
		6590 LM	90°	6.50	7.80	9.50	11.00	12.30
		7490 LM	90°	7.40	8.85	10.85	12.50	14.00
		9090 LM	90°	9.00	10.75	13.15	15.20	17.00
		10090 LM	90°	10.00	11.95	14.60	16.90	18.90
		11090 LM	90°	11.00	13.15	16.10	18.60	20.80
		2090 LM	90°	12.00	14.30	17.60	20.30	22.70
LM 04	R 1/2"	2065 LM	65°	2.00	2.40	2.90	3.40	3.75
		13680 LM	80°	13.60	16.25	19.90	23.00	25.70
		12090 LM	90°	12.00	14.30	17.60	20.30	22.65
		15090 LM	90°	15.00	17.90	21.95	25.35	28.35

other capacities on request.

## FOR ORDERING WE NEED FOLLOWING INFORMATION

### Field of application

medium to spray (viscosity)  
fitting position / spray distance nozzle – spray area  
temperature range  
frequency range

### Nozzle specification

type of material  
desired spray angle  
nozzle type  
connection thread  
desired capacity (l/min, l/h)  
operating pressure (bar)